

LED FOLLOW SPOT 350Z

USER MANUAL

LED FOLLOW SPOT 350Z

USER MANUAL

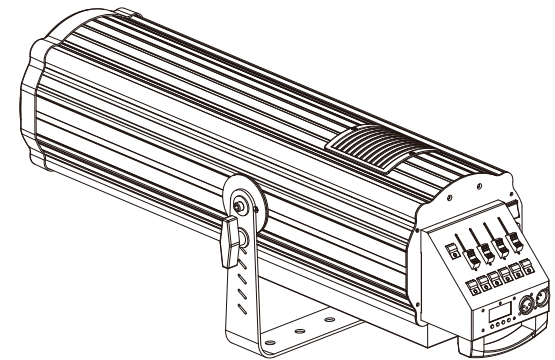
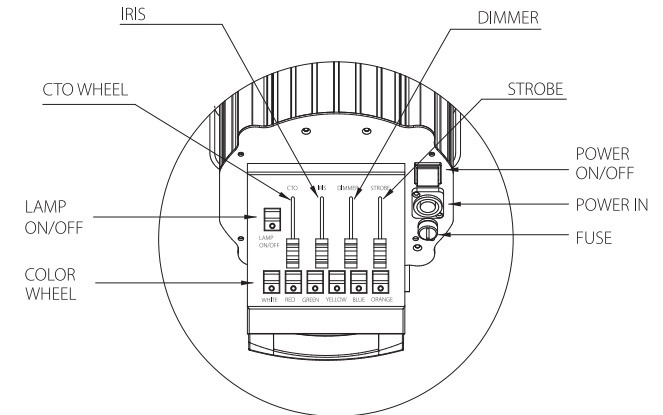


TABLE OF CONTENTS

INSTRUCTION	2
DESCRIPTION OF THE DEVICE	2
1. Profile	2
2. Overview	2
3. Specification data	2
4. Photographic chart	3
5. Safety warning	3
Warning	3
Note	3
INSTALLATION	4
1. Installing	4
2. Connection with mains.....	5
3. Replacing fuse	5
4. Focus and Zoom	5
OPERATION	6
APPENDIX	6
Problem and solution	6

OPERATION



APPENDIX

Problem and solution

Problem	Reason	Resolution	
Device not work	No power	AC100V-240V,50HZ/60HZ Check the power connection, and make sure device connect the mains in well condition. Check if switch is on Check if the fuse is good	
		led bulb damaged	Replacing led bulb
		Led driver board damaged temperature swtich damaged	Replacing led driver board Replacing temperature switch
Fans not work	Fans damaged	replacing fans	

Caution:

- Unqualified person involved with installation, operation and maintenance of this device is prohibited.
- If any above mentioned problem happened, or unknown problem happened, please contact manufactory or distributor for assistance.

2.Connection with mains

- The person involved with the power connection must be qualified, and has the electrical engineering certificate.
- Connect the device to the mains with the power plug.
- The earth has to be connected.
- Power consumption 450W, input power supply AC100V-240V, 50/60Hz.

3. Replacing fuse

- Before replacing the fuse, unplug mains lead.
- Procedure:

Step 1: Unscrew the fuseholder on the rearpanel with a fitting screwdriver from the housing (anti-clockwise).

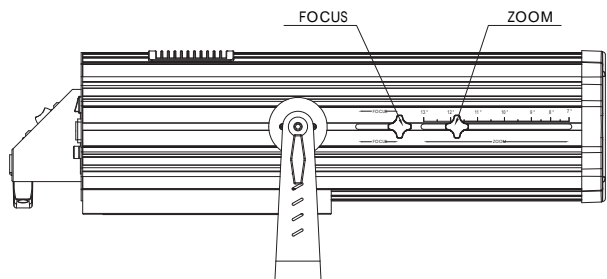
Step 2: Remove the old fuse from the fuseholder.

Step 3: Install the new fuse in the fuseholder.

Step 4: Replace the fuseholder in the housing and fix it.

4. Focus and Zoom

- when switch on the device and light the lamp, loosen the two screws of focus and zoom, and move the screws, to make the best spot image, then retighten the two screws of focus and zoom
- When the projection distance is changed, user can follow previous operating steps, and focus the projector



INTRODUCTION

Thank you for having chosen a led follow spot 350Z You will see you have acquired a powerful and versatile device.

Unpack your led follow spot 350Z

Delivery includes

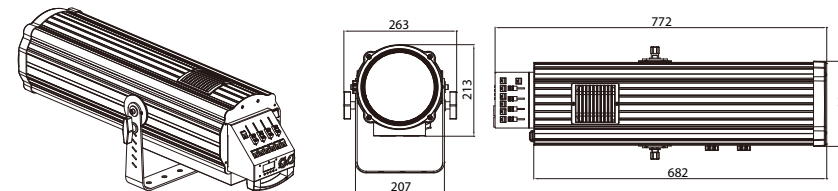
Mounting holder	1PC
Power wire	1PC
USER MANUAL	1PC

DESCRIPTION OF THE DEVICE.

1. Profile

With the idea of energy saving and environment protection, the device use lower power loss and extremely high efficiency led. with beautiful shape and smooth lines. The designing and manufacturing is in compliance with the IEC standard. The device is suitable in the large-scale theatrical performance, the theater, the performance hall, the bar, night club and so on.

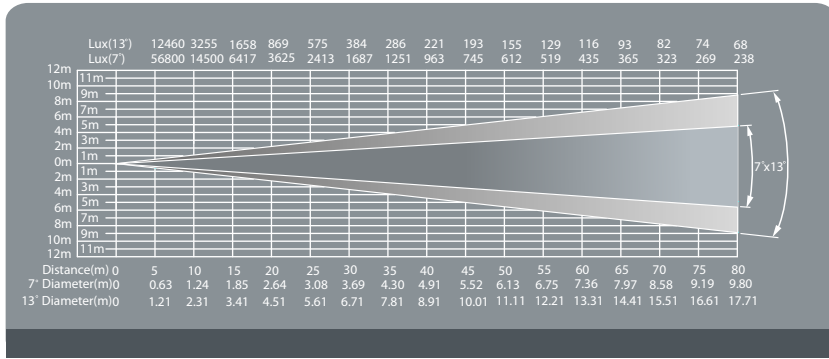
2. Overview



3. SPECIFICATION

- Lamp: Led350W,
- Color temperature: 8000-8500K,
- Lifetime of led, more than 50000hours
- Luminous flux :20000lm – 24000lm
- Power supply: AC100V-240V, 50Hz/60Hz
- Power consumption: 450W
- Color wheel 5colors + open white
- CTO wheel: 3200K, 4500k, 5600K
- Manual focus and Zoom, 7°-13°
- Strobe 1-20 flash per second.
- N.W.: 11.5kgs
- G.W.: 14kgs
- Dimensions(LxWxH): 860x305x295mm

4. Photographic chart



5. Safety warning

① warning:

- Every person involved with the installation, operation and maintenance of this device has to be qualified
- User must follow the instructions of this manual
- Unqualified person can not open the housing cover and operate the device, or the dealer will not accept liability for any resulting defects or problems.

● The device against rain and moisture

② Warning notes:

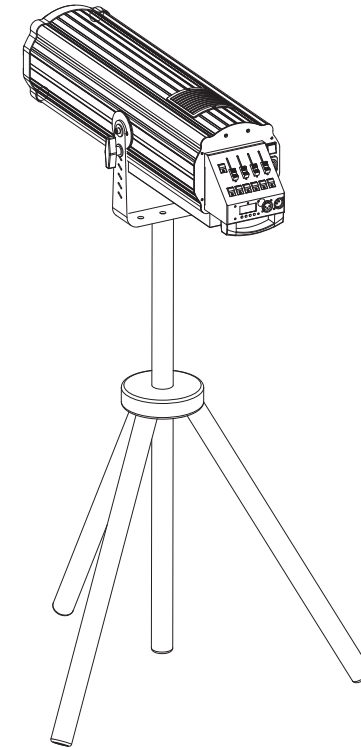
- Power supply: AC100V-240V/50HZ-60HZ
- Make sure the power switch is off, the power plug, outlet and the earth connection is in well condition before connecting the device with the mains.
- Please use qualified power plug and outlet. Never connect the power cord of this device with other electrical equipment.
- During move and installation, make sure the device not crashed with metal parts and other tough materials.
- Always disconnect from the mains, when the device is on installation and dismantled
- The minimum distance between light-output and the illuminated surface must be more than 50cm.
- The device must only be installed on a non-flammable surface. In order to safeguard sufficient ventilation, leave 50 cm of free space around the device. Please note that heat-sensitive objects may be deformed or damaged by the emitted heat.
- During the operation the housing becomes very hot! Do not operate the device for 15 minutes after switching off.
- The maximum ambient temperature $T_a = 45^\circ\text{C}$ must never be exceeded. The maximum housing temperature $T_b = 60^\circ\text{C}$ must never be exceeded.
- For indoors use.

- Replace any visible cracked protective shield, filters and lens.
- The protective shield, filters and lens will require weekly cleaning as smoke/fluid tends to building up residues, reducing the light output very quickly.

INSTALLATION

1. Installation

- When installation, keep the device far away the heat sensitive objects and explosives sensitive objects, leave at least 50CM of free space around the device.
- Then put the device on the stand, make sure that the stand must be placed on the ground smoothly, and tighten all the fasteners.



- Please use qualified stand, and make sure the stand can withstand more than ten times the weight of device.